

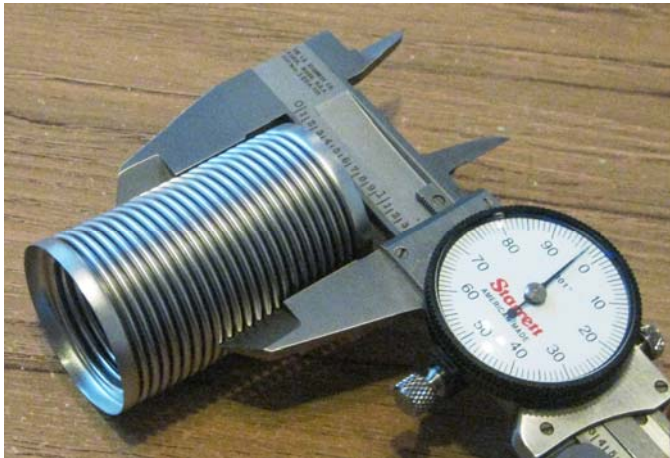
---

### Replacement Bellows and Expansion Joints in Gas Turbine Repairs

---

#### Fuel Nozzle Bellows

Gas turbines, such as GE's 7FA, have bellows in the fuel nozzles. It is recommended that these bellows be replaced during major turbine over-hauls.



Reverse engineered fuel nozzle bellows

#### Expansion Ring

Replacement bellows for hard to find parts such as this expansion ring that came off of a Westinghouse turbine.

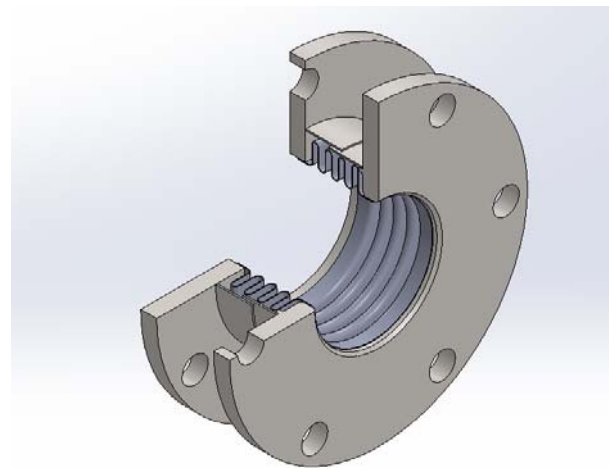


New and rebuilt services for leaking parts

#### Cross-Fire Bellows

GE 7FA users found that the original graphite slip joints in the cross-fire tubes leaked, which increased temperatures in the turbine casing.

The upgrade to the graphite packed joint is a flanged alloy bellows expansion joint, which has proven to be a successful upgrade.



Reverse engineered cross-fire bellows

#### Exhaust Bellows Systems



Small gas turbine exhaust piping with bellows